

PFM321

DC Power supply



Features

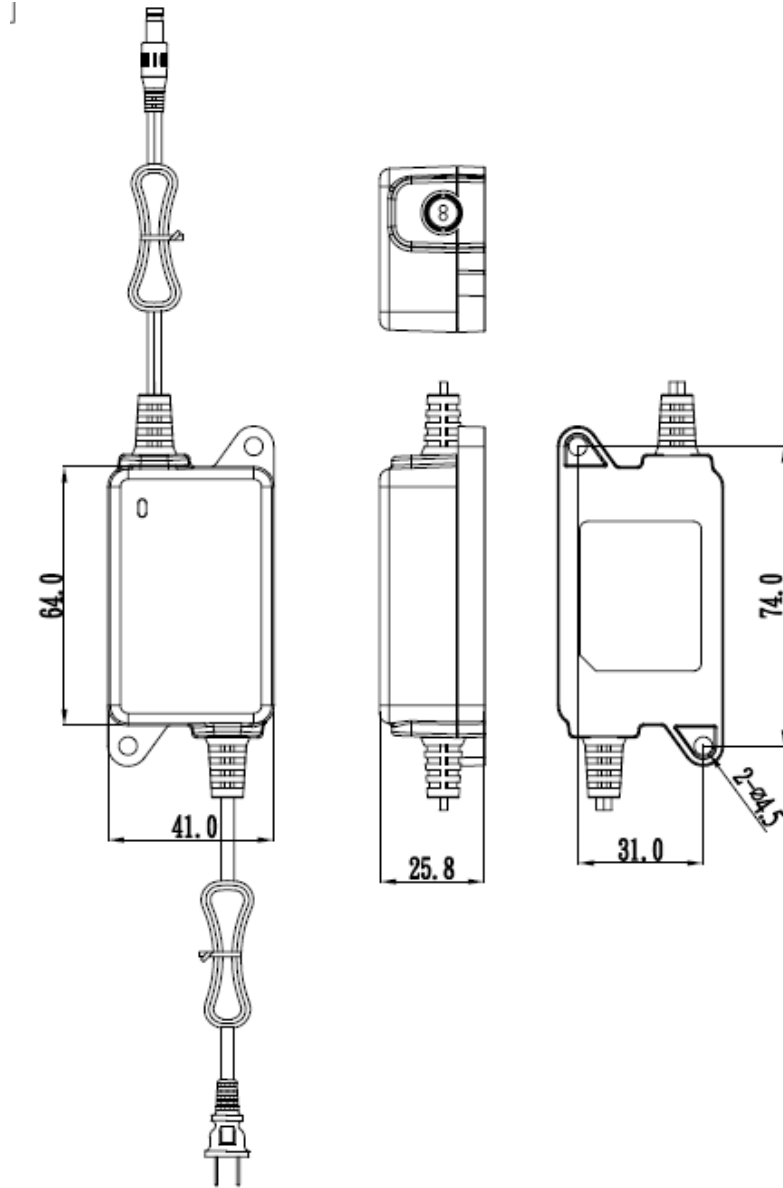
- Easy installation
- With indicator light working
- Accurate overcurrent, overvoltage protection

Specifications

Model	PFM321
General	
Input	AC100~240V,50/60Hz, 0.5A
Output	DC12V (+ 7%,-3%) --1A (±2%)
Working temperature	-30~70°C
Working humidity	<90%
Weight	150g
Dimension	84mm×41mm×26mm
Installation mode	Plane installation
Color	Black
Outgoing line length	AC wire: 50cm, DC wire: 80cm
Certification	CE, FCC, CEC

PFM321

Dimensions (mm)



Dahua Technology Co., Ltd.

1199 BinAn Road, Binjiang District, Hangzhou, China

Tel: +86-571-87688883

Fax: +86-571-87688815

Email: overseas@dahuatech.com

www.dahuasecurity.com

*Design and specifications are subject to change without notice.

© 2014 Dahua Technology Co., Ltd.